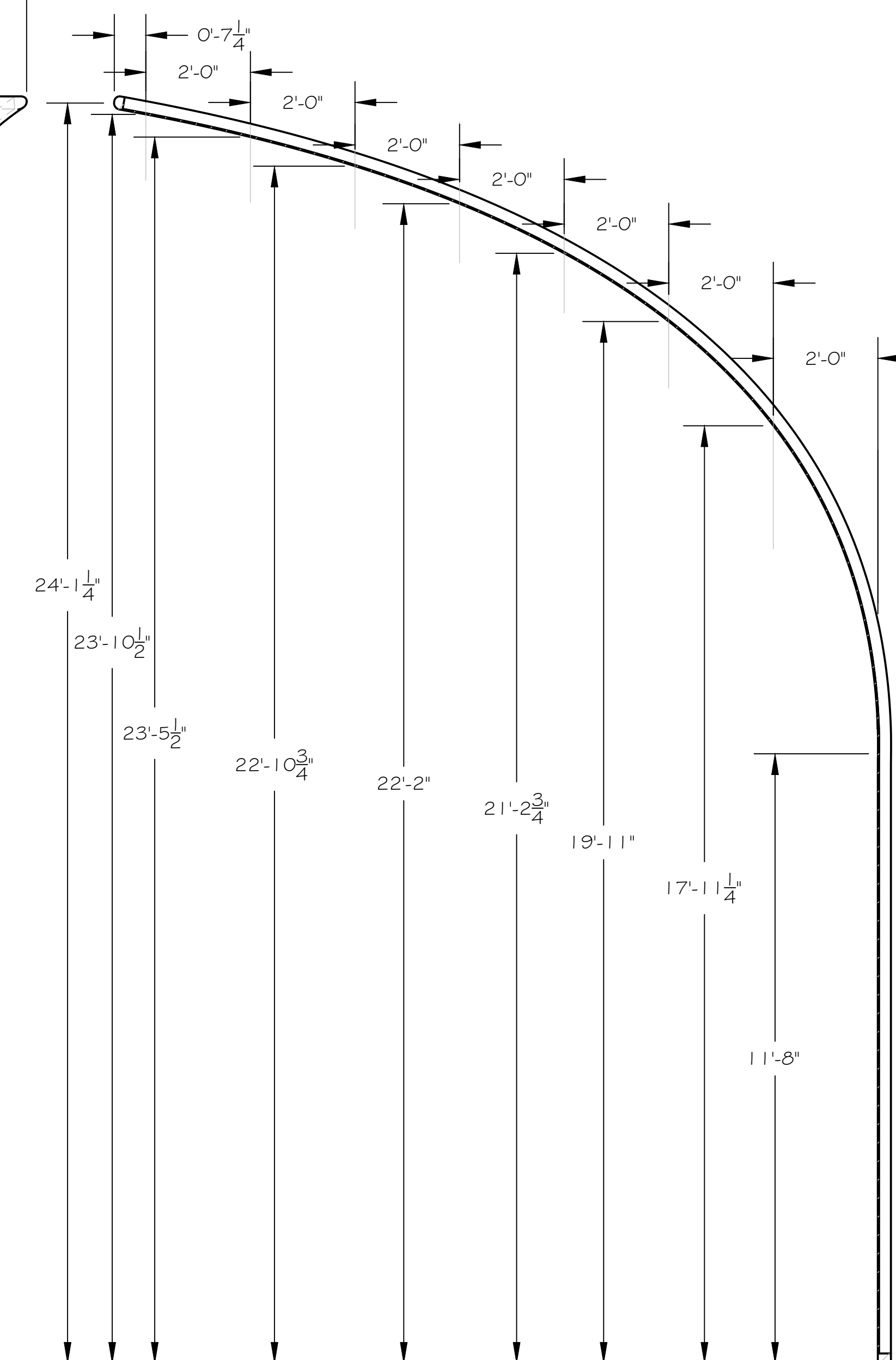
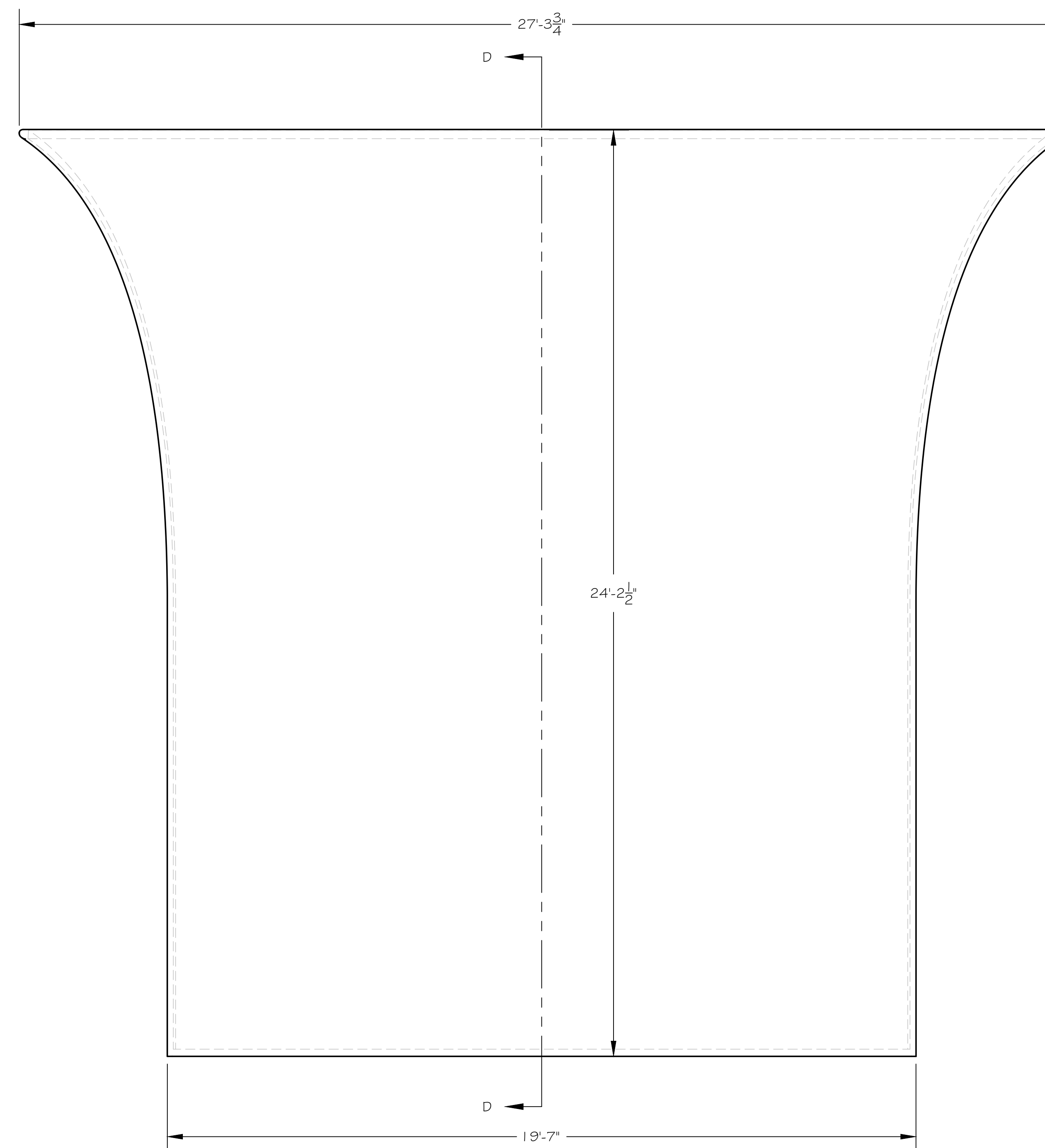


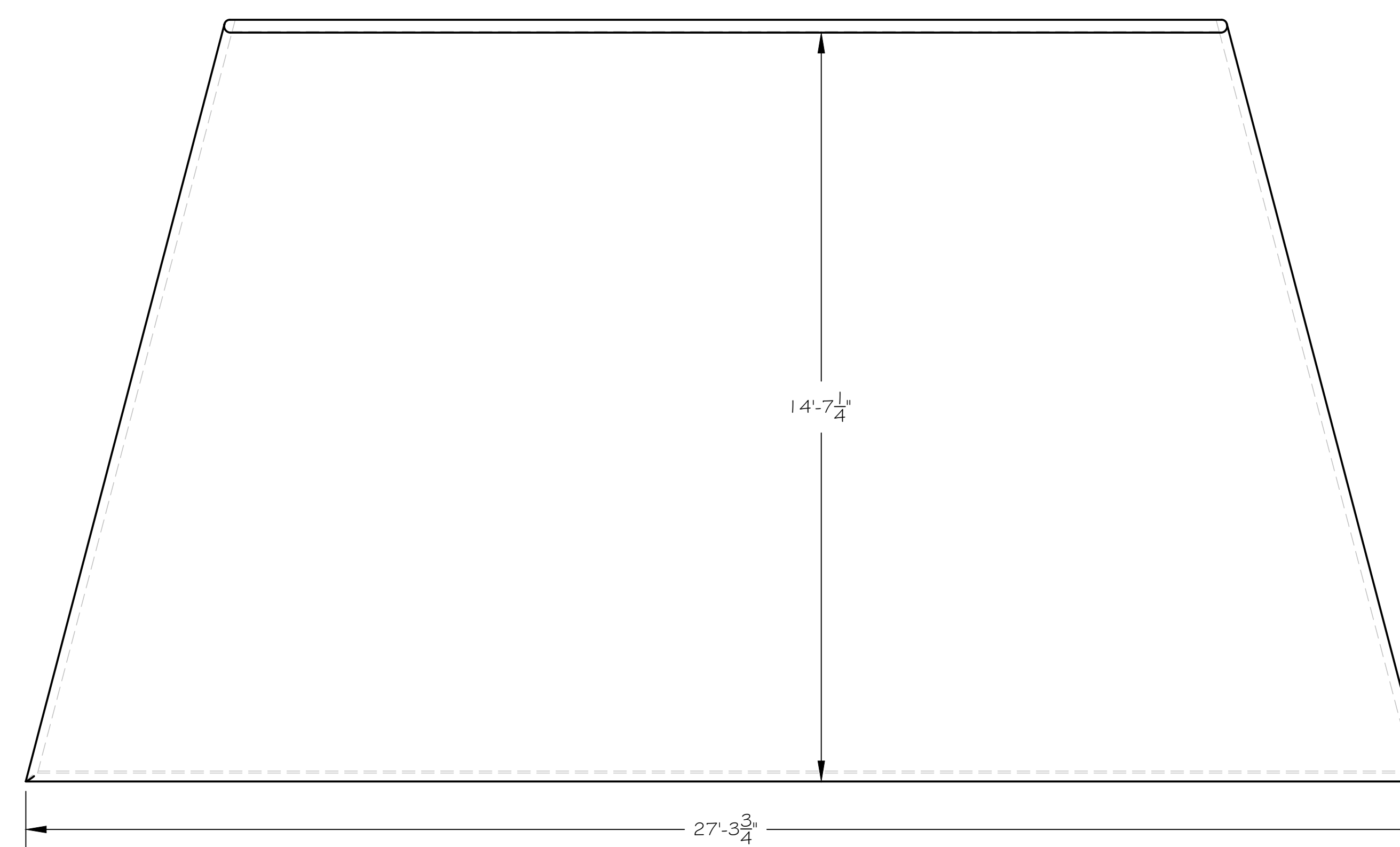
Metallic Frame backed with Translucent Plastic Sheet similar to coroplast.

**Logo Wall**

Logo-Painted dark metal, LED strip on back sides except for registration mark.



**Center Sweep/Cyc**



This is a representation of design concepts only! The designer takes no responsibility, and hereby disclaims liability, for the erection, engineering and/or use of any component or concept shown on this or any other drawing. It is the responsibility of the vending companies to erect this design using properly engineered and approved materials, components and methods, including but not limited to local building, fire and safety codes, and all applicable O.S.I.A. standards.  
All concepts, ideas, and design elements shown on this drawing and any other documentation are the exclusive intellectual property of Scenegraphics, Ltd., and may only be used for this project. Any other use is prohibited, unless express written permission has been granted by Scenegraphics, Ltd.  
concspt2c2.dwg 1/16/24

**2024 MDRT**  
Global Conference

**Vancouver Convention Center**  
Exhibit Halls E and F  
Logo Wall and Center Sweep/Cyc

**launch!**  
PLAN | CREATE | INSPIRE

ACCOUNT EXECUTIVE  
D. Simmons  
DRAWN BY  
T. McClellan  
DATE  
16 January 2024  
SCALE  
1/2" = 1'-0" (1:24)  
REVISION NUMBER  
concspt2c2

DRAWING NUMBER  
**5**  
DRAWING DATA  
16 January 2024